

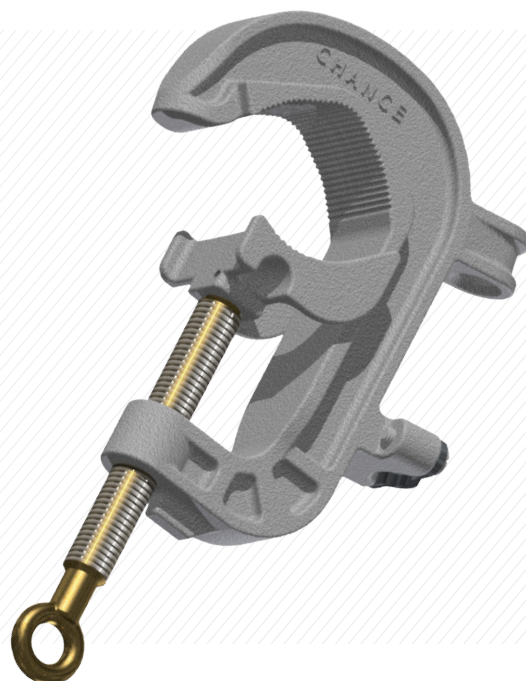
# NEW CHANCE® 6H GROUNDING C-CLAMP

## PSC6003700 - 6H 2.5" GROUNDING C-CLAMP

### FEATURES AND BENEFITS

- Aluminum body with serrated jaws
- Accommodates 0.625" - 2.88" Conductor/Bus Bar
- Tested per ASTM F855-20 Table 2 to Grade 6H (55kA; 148kA 1st cycle peak; X/R=30)
- Available with factory-assembled sets (recommended) or as an individual component

*Note: Ground Set rating is dictated by the lowest rated component. This clamp must be combined with other 6H- or higher-rated components for the Ground Set to be rated at 6H.*



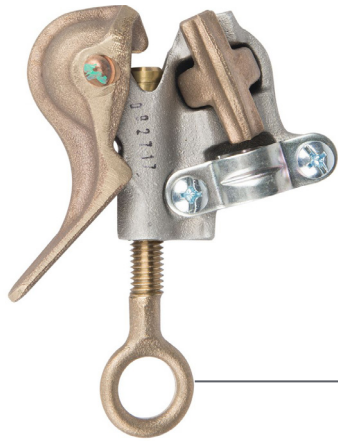
### CHANCE 6H-RATED GROUNDING CLAMPS, CABLE, AND FERRULES

ASTM RATING	Catalog Number	Description
<b>6H 55KA ASYMMETRICAL 15 CYCLES</b>	PSC6003700	C-Clamp
	PSC6003690	Tower Clamp w/ 6.4" Rated Stud
	T6003011 (threaded) T6000658 (drilled)	C-Clamp
	PSS18102	SafetyFlex 4/0+ Cable (2318 strands)
	All CHANCE Copper and Tin-Plated 4/0 Threaded Ferrules	

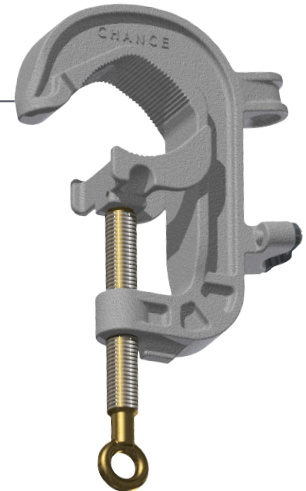
Contact your local HUS representative for custom length grounding sets



# RECENTLY RE-CERTIFIED/ UPGRADED CHANCE® H-RATED CLAMPS



Catalog Number	New ASTM Rating
G18102 Duckbill	Grade 1H and Grade 3
PSC6003696 C-Clamp	Grade 3H and Grade 5
C6001743 C-Clamp	Grade 5H
PSC6003700 C-Clamp	Grade 6H



Contact your local HUS representative for custom length grounding sets

